

8600 SPA/SPAT

Super parallel arm mount with flush transom
bracket and drop plate (DP86)

Installation instructions

08279008 – 01-2021

| EN |

dormakaba 

Table of contents

1	Technical specifications	3
1.1	Overview	3
1.2	Tools recommended	3
1.3	Handing the door	3
2	Instructions - parallel mount	4
2.1	Installing drop plate and surface closer	4
2.2	Secure soffit plate to frame: spacer block, blade stop, or narrow frame bracket	4
2.3	Securing main arm to closer	5
3	Adjustments	6
3.1	Adjust closing speeds: sweep, latch, backcheck, delayed action	6
3.2	Adjust hold open (optional)	6
3.3	Adjust spring force	7
4	Install covers	7

1 Technical specifications

1.1 Overview

! Caution: sex nuts are required for attachment of components to unreinforced doors and to wood or plastic faced composite type fire doors, unless an alternative method is identified in the individual door manufacturer’s listings.

! Maximum door opening degree is 110°.

! Hold open range is from 85° to 110° with optional hold open kit.

! Know the swing of the door which is being installed prior to installation.

! Verify closer spring size prior to installation.

! Make sure door efficiently operates prior to installing closer.

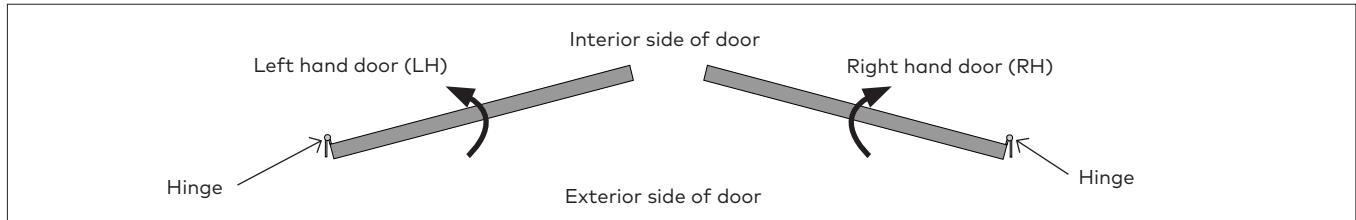
1.2 Tools recommended

Table 1

Drill bits:	#3 Phillips screwdriver
Metal: 7/32" drill bit; 1/4-20 tap	3/16" flat head screwdriver
Wood: 3/8" and 5/32" bit	5mm hex key
1/2" box wrench	10" box wrench

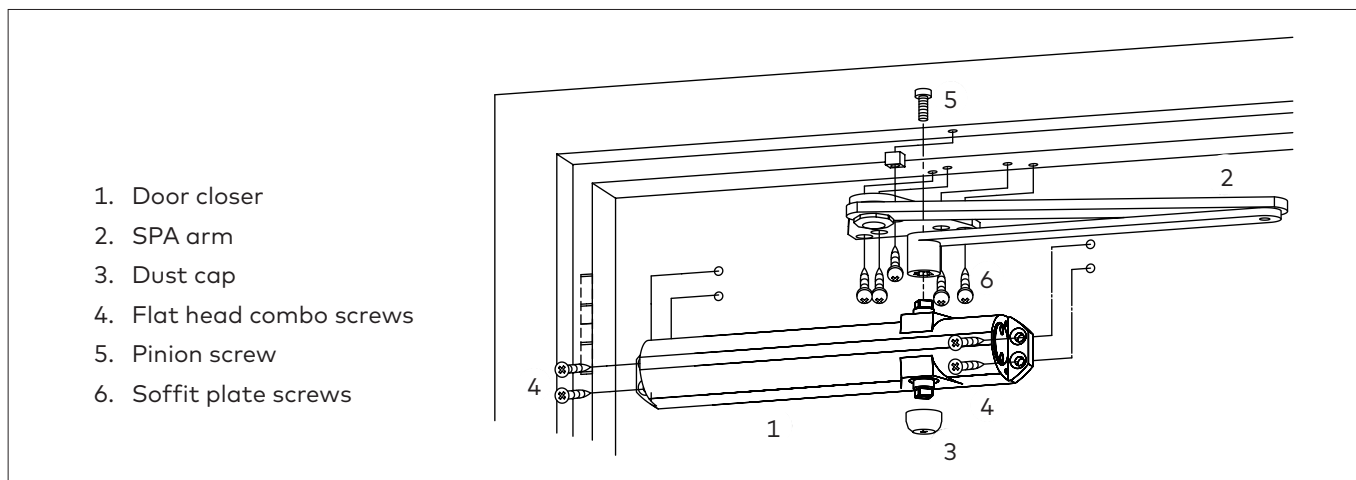
1.3 Handing the door

Fig.1



1.4 Closer system

Fig.2



2 Instructions - parallel mount

2.1 Installing drop plate and surface closer

Fig.3

2.1.1 Reference templates 08280602, 08280603, 08280604, 08280605.

2.1.2 Secure closer body to door.

NOTE: Ensure pinion is oriented away from hinge.

2.2 Secure soffit plate to frame: spacer block, blade stop, or narrow frame bracket

Fig.4

Standard with spacer block

2.2.1 Secure spacer block and soffit plate to frame.

2.2.2 Use included fasteners.

NOTE: Install spacer using 1/2" height.

With blade stop (optional) (BSHD)

2.2.1 Secure blade stop, spacer block, and soffit plate to frame.

2.2.2 Use included fasteners.

2.2.3 Install spacer block using 1/2" height.

NOTE: If frame width is 4-1/2" or less, NFHD bracket should be used.

With heavy duty narrow frame bracket (optional) (NFHD)

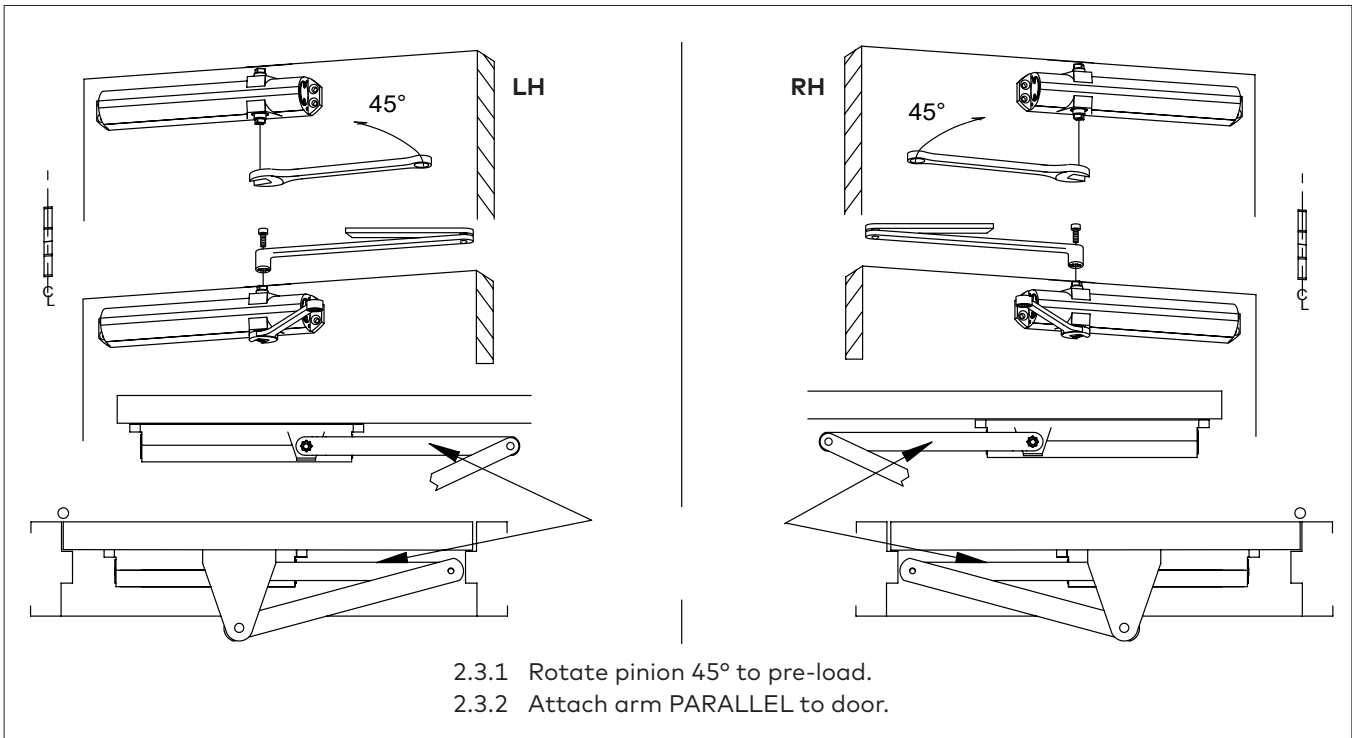
Deadstop	DIM "C"
85°	11-1/4" [286]
90°	10-1/2" [267]
100°	9-1/4" [235]
110°	1-1/8" [206]

2.2.1 Secure NFHD bracket and soffit plate to frame.











2.2.2 Use included fasteners.

2.3 Securing main arm to closer

Fig.5

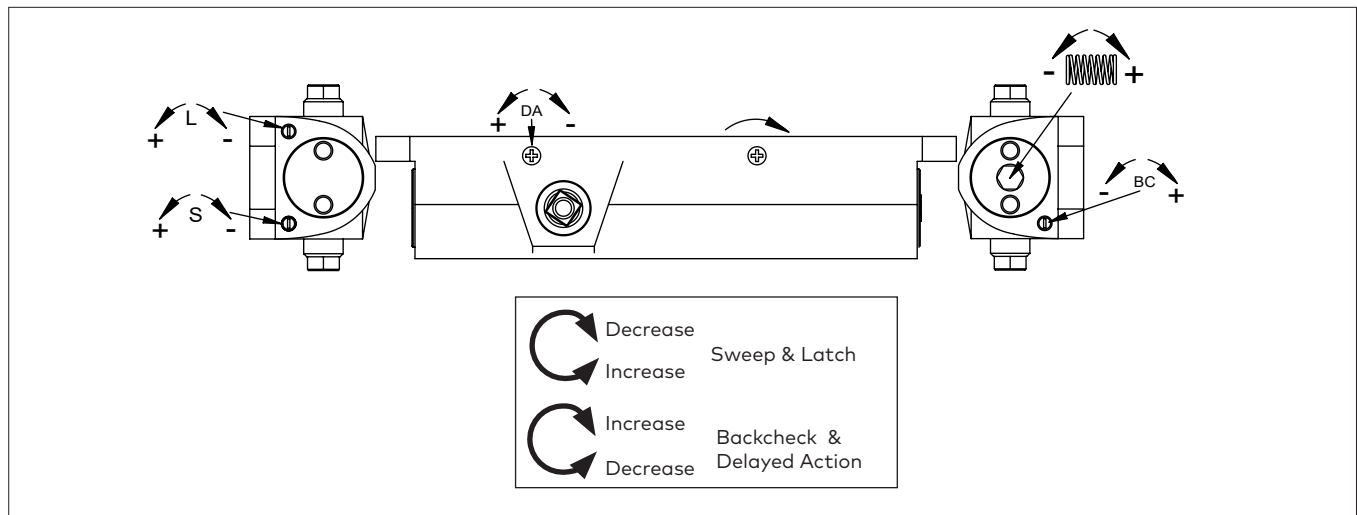


3 Adjustments

-  Confirm closer spring size prior to making any closing speed adjustments.
-  Do not back valve heads out beyond closer casting.
-  Backcheck positioning MUST be turned "ON" for parallel arm applications.
-  Backcheck position will advance approximately 15°.
-  Check delayed action (DEL) function if supplied.
-  Maximum opening angle is 110°.
-  Door should close in 3 to 6 seconds from 90°.
-  Do not close valves completely.
-  Ball bearing hinges and pivots should always be used.
-  8616 meets 5lb interior barrier-free requirements. If necessary, adjust closer spring and test pull forces until proper forces are obtained.

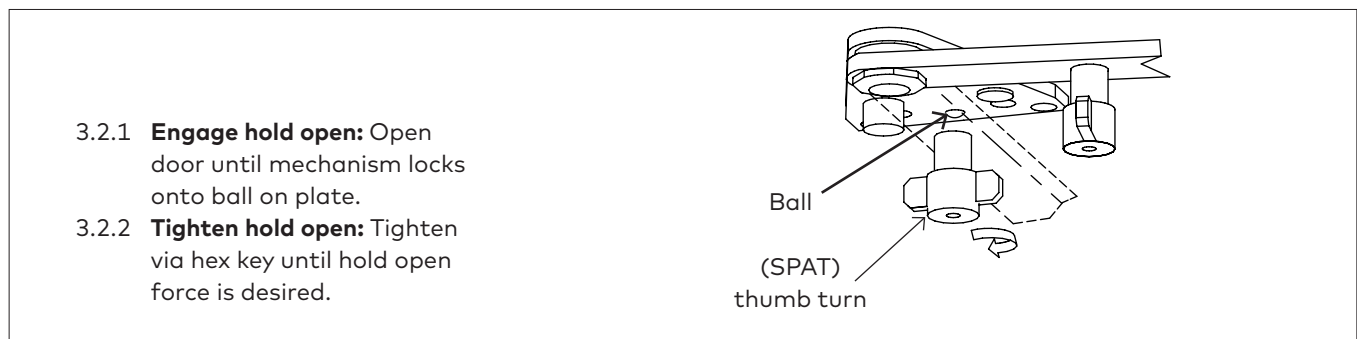
3.1 Adjust closing speeds: sweep, latch, backcheck, delayed action

Fig.6



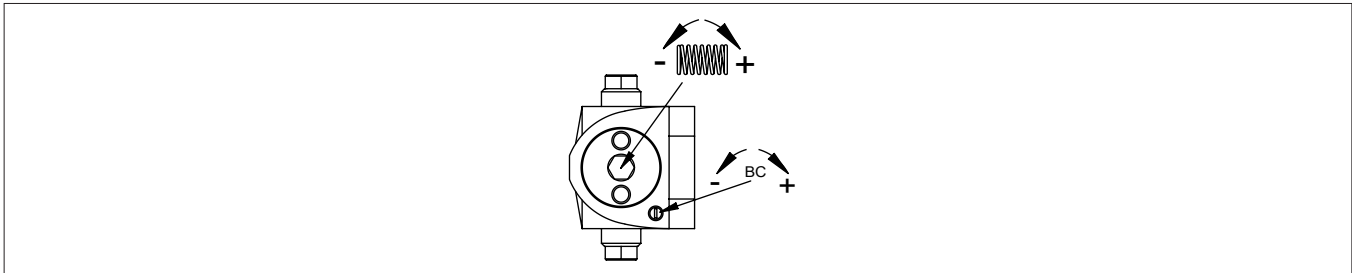
3.2 Adjust hold open (optional)

Fig.7



3.3 Adjust spring force

Fig.8



Parallel mount					
	Closer size	Max door weight (lbs)	Door width		Full turns
			Interior	Exterior	
	3	100	2'-6"	---	-11
	4	125	3'	2'6"	0
	5	150	3'6"	3'	+5
	6	200	4'	3'6"	+13

4 Install covers

Fig.9

